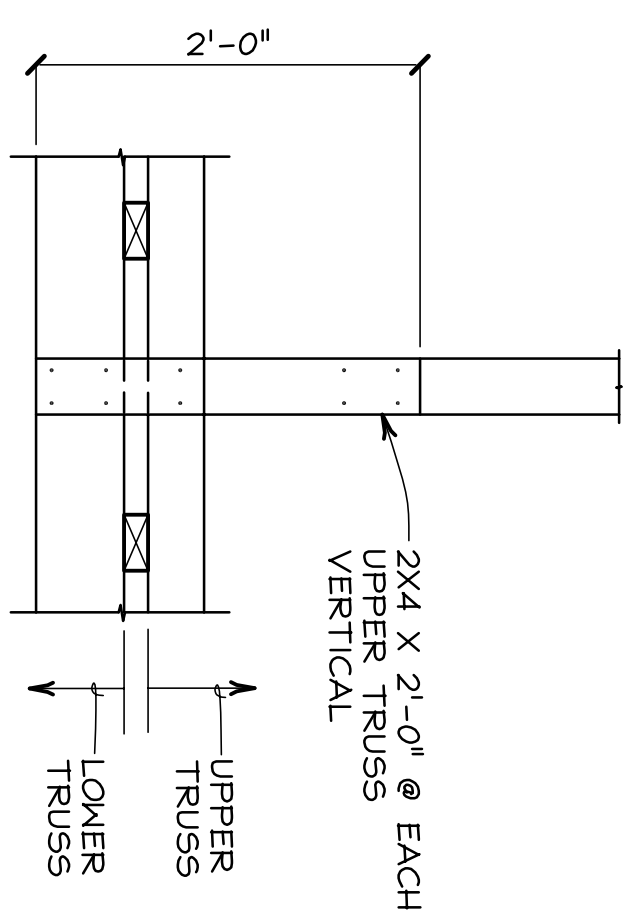
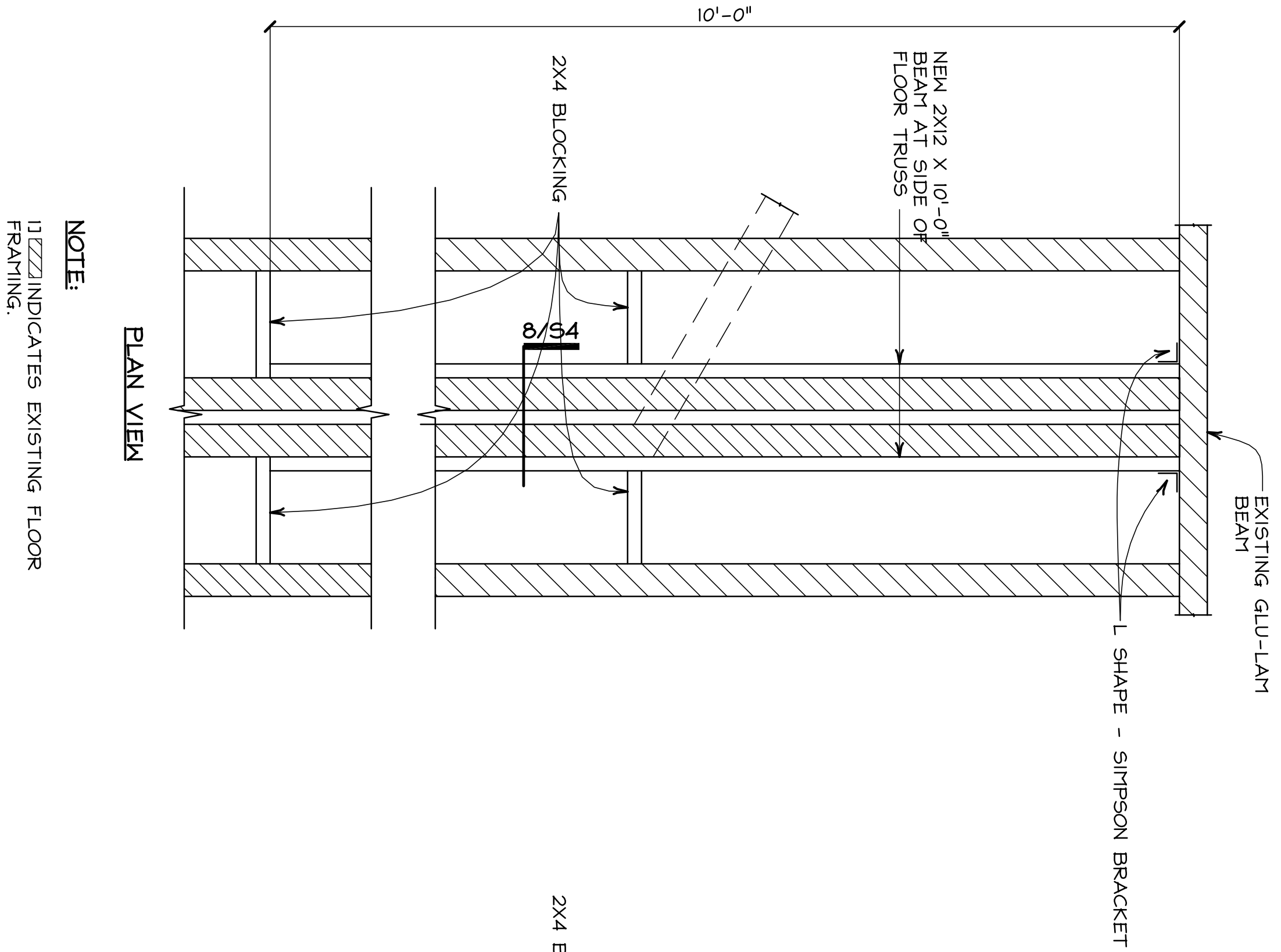


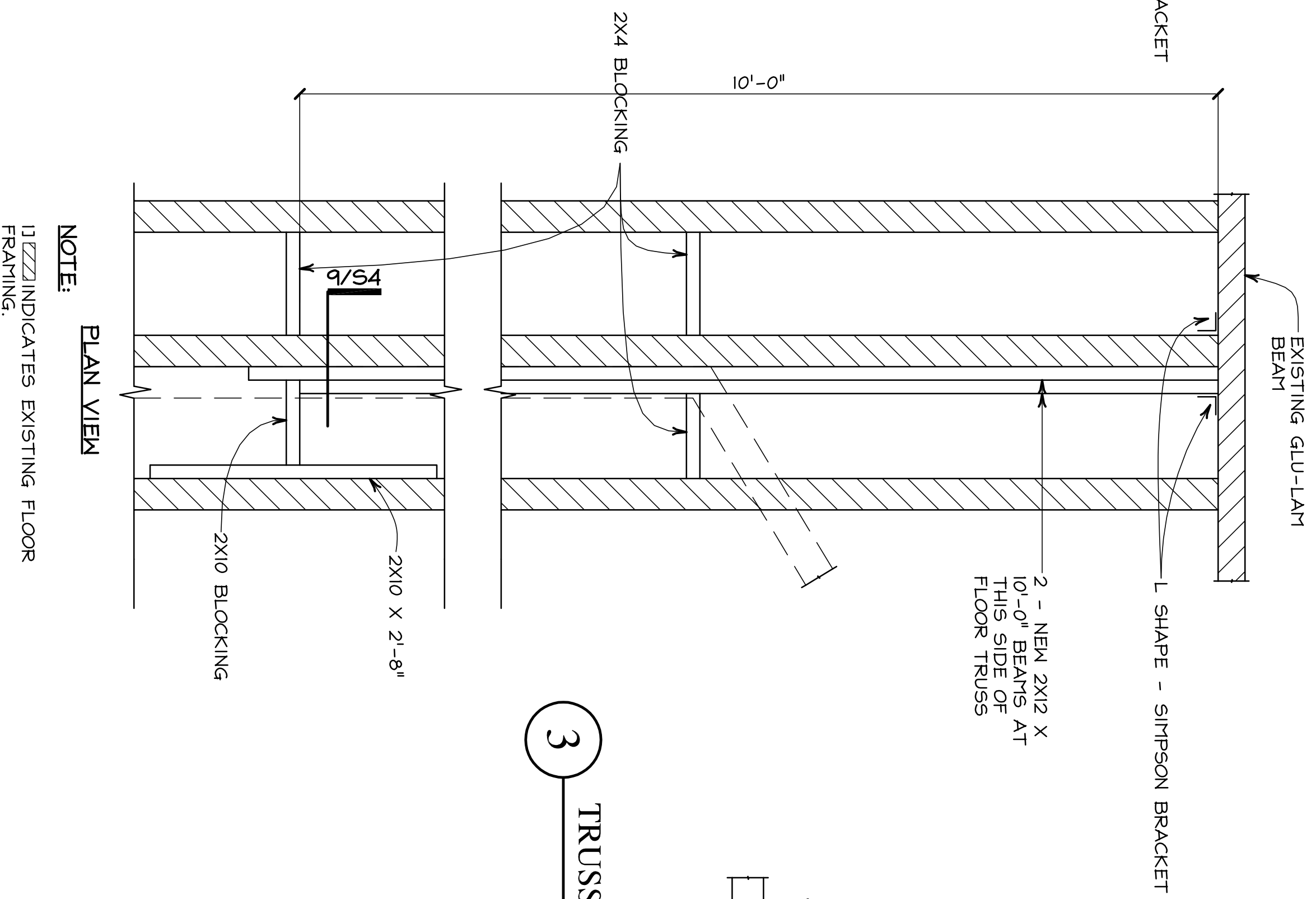
**1** HIGH ROOF OVER BARREL VAULT  
1" = 1'-0"



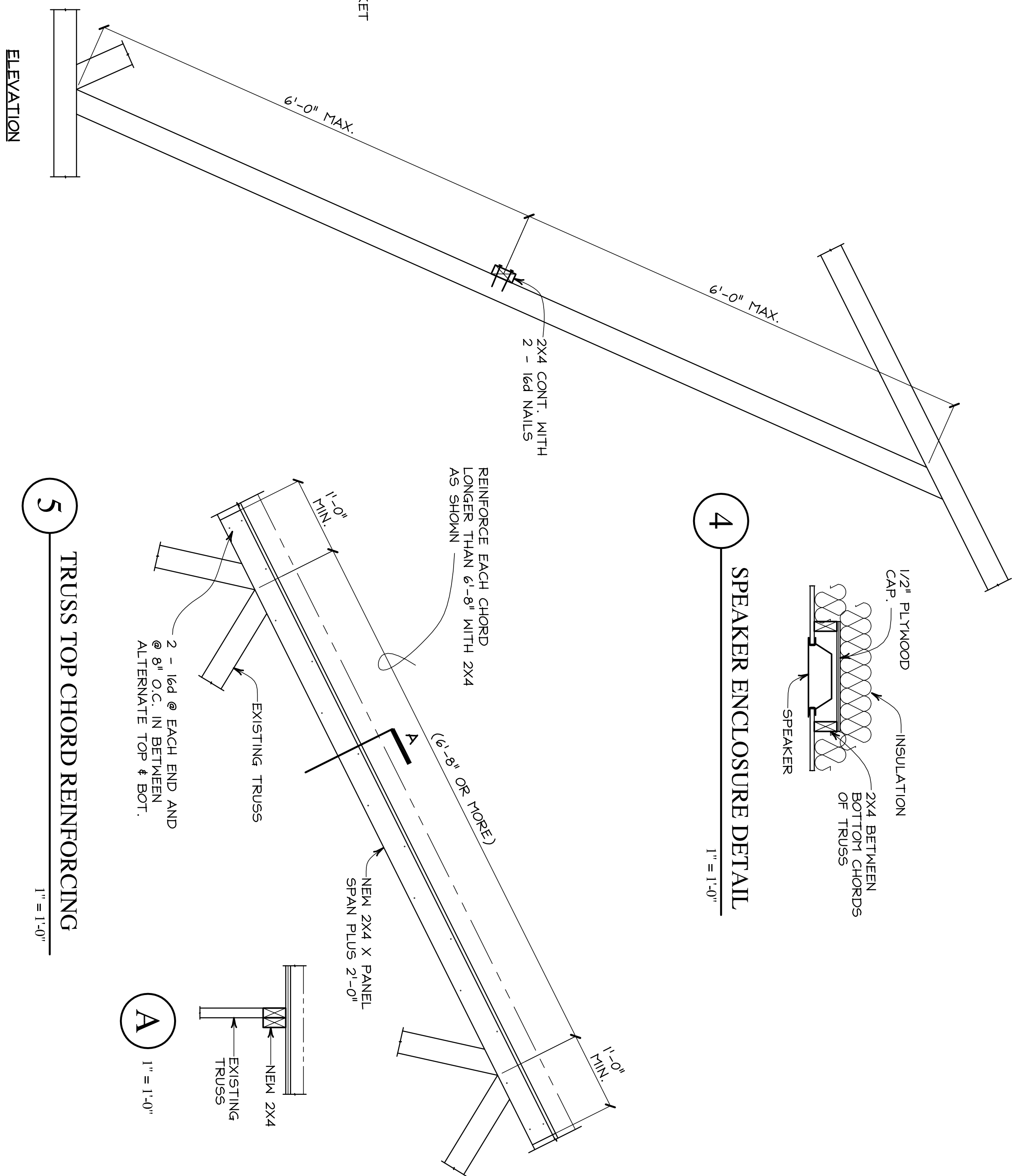
**2** TYPICAL UPPER / LOWER TRUSS CONNECTION  
1" = 1'-0"



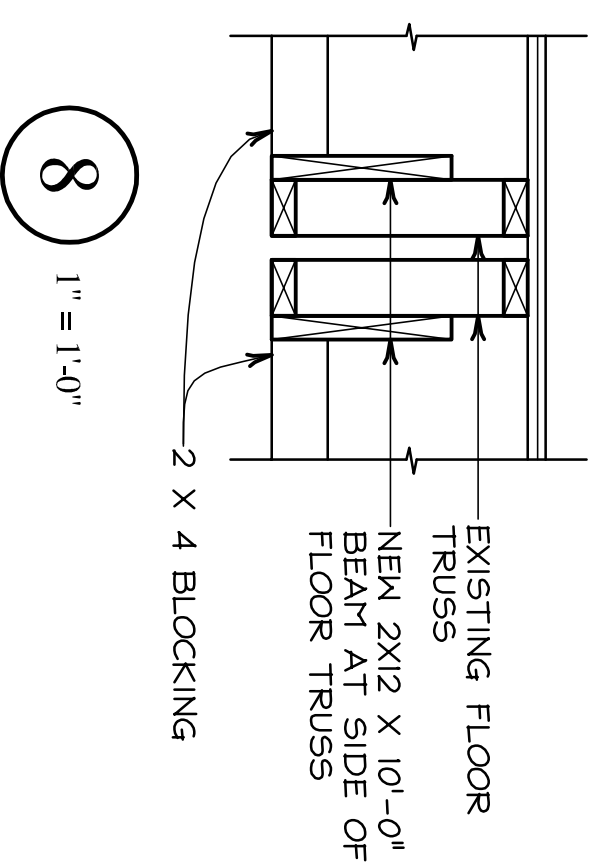
**3** TRUSS WEB BRACING DETAILS  
1" = 1'-0"



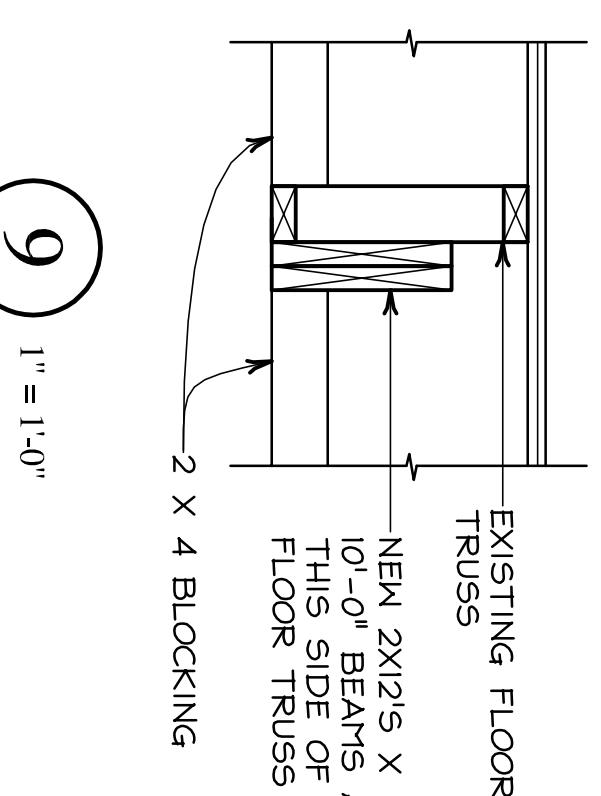
**4** TRUSS TOP CHORD REINFORCING  
1" = 1'-0"



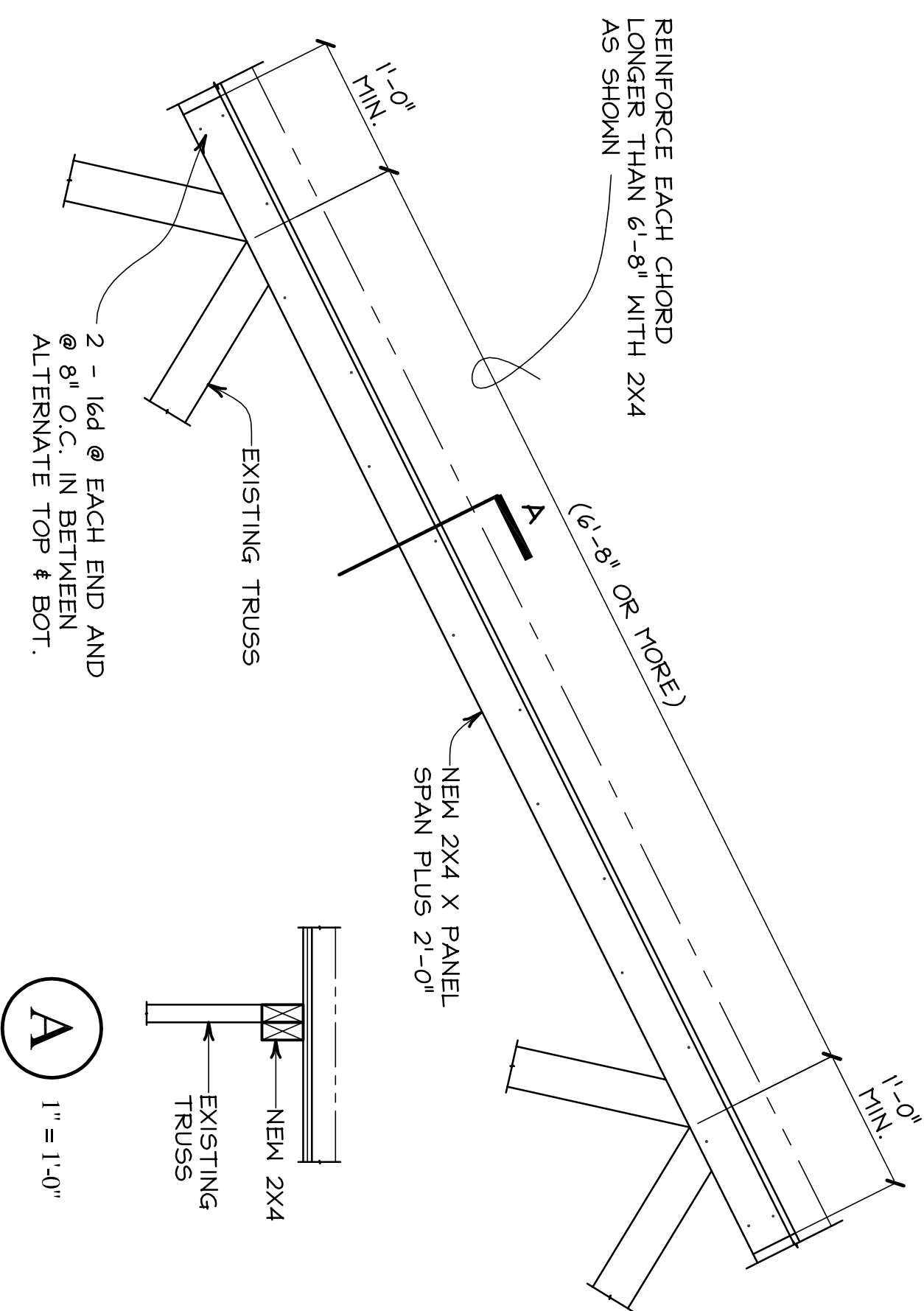
**5** SPEAKER ENCLOSURE DETAIL  
1" = 1'-0"



**6** TRUSS WEB BRACING DETAILS  
1" = 1'-0"



**7** TRUSS TOP CHORD REINFORCING  
1" = 1'-0"



**8** TRUSS TOP CHORD REINFORCING  
1" = 1'-0"